



TOP ENTRY BALL VALVES 上装式球阀

Applications 应用

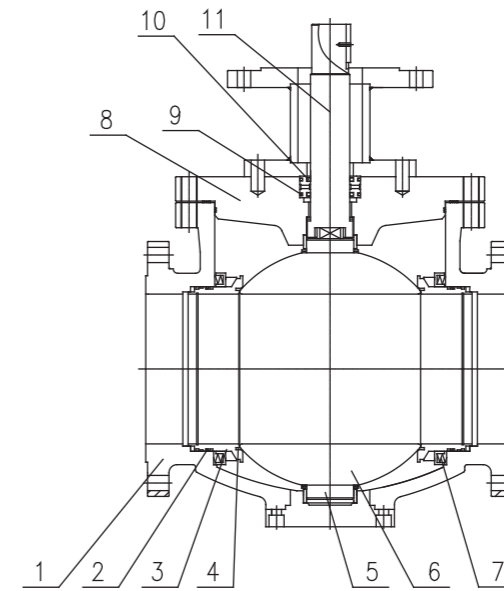
The top entry trunnion supported design and unique seat retraction technique gives the convenient of inline repair or replace valve internal components without dismantling it from pipe line.

Each ball seat shuts off the line fluid independently on the upstream and downstream side, so this series ball valves are suitable for double block and bleed application. Secondary sealant injection system for stem and seat is provided for emergency stop of accidental seat or stem leakage.

They are applied to chemical engineering, oil, natural gas, metallurgy, pharmacy, food industry, environment protection and city building industries, etc.

上装式固定式的结构设计和阀座可更换技术使该类型阀门能实现在线修理、更换，无须将阀门从管线上拆卸。

由于该球阀的两端球与阀座配合均可独立阻断管线上下游流体，所以，此系列的球阀可实现双阻断及双排放功能。此外，注射密封脂系统可保证在紧急状况下阻断源自阀杆和阀座处的泄露。该类型球阀适用于化工，石油，天然气，冶金，制药，食品，环境保护和城市建筑等行业。



Test Pressure Specification 压力试验规范

• Pressure 压力

Shell (Liquid) 壳体 (液体) : 1.5 or more times the pressure rating for material at 38°C
按38°C材料确定的压力额定值的1.5倍

Sealing(Liquid)密封 (液体) : 1.1 or more times the pressure rating for material at 38°C
按38°C材料确定的压力额定值的1.1倍

Low-pressure Sealing (Air) 低压密封 (气体) : 0.5~0.7(MPa)

Technical Data 技术参数

Size公称尺寸 : NPS 2~36

Pressure Ratings压力等级 : Class150~1500

Body Materials阀体材料 : ASTM: WCB(A105)、CF8 (304)、CF3 (304L)、CF8M (316)、CF3M (316L)

DIN : GS-C25(St50-2)、1.4308(1.4301)、(1.4306)、1.4408(1.4401)、(1.4404)

Design Standard设计标准 : DIN3356、API 6D、ASME B16.34

Face to Face结构长度 : DIN EN 558、ASME B16.10

Flanged Ends法兰端 : DIN EN 1092、ASME B16.5

Butt-welding Ends对焊端 : ASME B16.25

Test and Inspection试验和检验 : ISO5208、DIN3230、API 6D、API598。

Notes: The sizes of serial valve flange and butt-welding dimensions can be designed according to customer's requirement.
注：系列阀门法兰端和对焊端尺寸可根据客户要求设计制造。

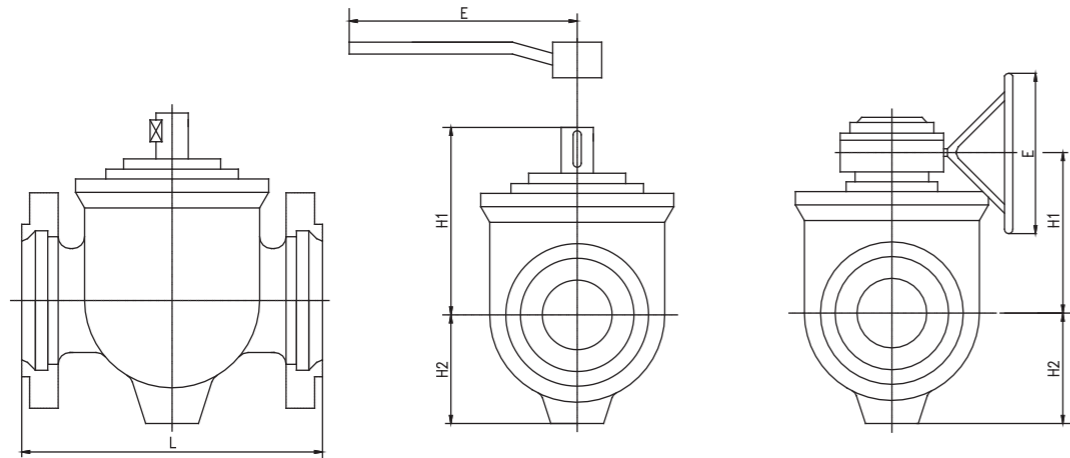
Material Specifications 材料规范

NO. 序号	Parts零件名称	Materials材料			
		Carbon Steel valve 碳钢阀门		Stainless Steel valve 不锈钢阀门	
		DIN	ASTM	DIN	ASTM
1	Body阀体	GS-C25	A216 WCB	1.4408	A351 CF8M
2	O-ring O形圈	NBR	NBR	NBR	NBR
3	Seat阀座	St50-2	A105	1.4401	A182 F316
4	Seat Insert密封圈	PTFE	PTFE	PTFE	PTFE
5	Stem阀杆	X20Cr13	A182 F6a	1.4401	A182 F316
6	Ball球体	St50-2+ENP	A105+ENP	1.4401	A182 F316②
7	Spring弹簧	Inconel X-750	Inconel X-750	Inconel X-750	Inconel X-750
8	Cover阀盖	GS-C25	A216 WCB	1.4408	A351 CF8M
9	O-ring O形圈	NBR	NBR	NBR	NBR
10	O-ring O形圈	NBR	NBR	NBR	NBR
11	Stem阀杆	X20Cr13	A182 F6a	1.4401	A182 F316

Note: The materials can be selected according to customer's requirement. 材料可根据客户要求合理选用。



ANSI TOP ENTRY BALL VALVES 美标上装式球阀



FULLY WELDED BALL VALVES 全焊接球阀

Technical Data 技术参数

Pressure Ratings 压力等级: Class 150~1500

Design Standard 设计标准: API 6D、ASME B16.34

Face to Face 结构长度: ASME B16.10

Butt-welding Ends 对焊端: ASME B16.25

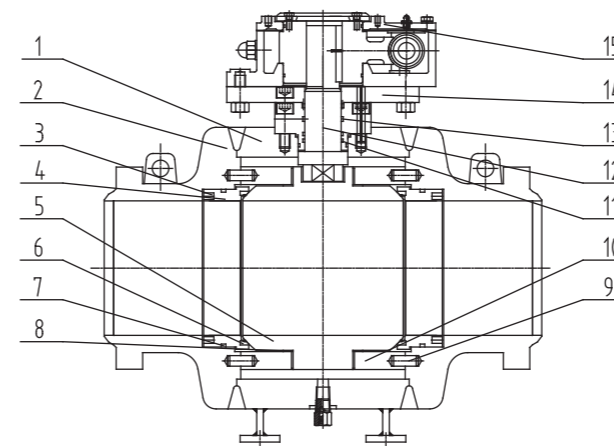
Test and Inspection 试验和检验: ISO5208、API 6D、API598

Notes: The sizes of serial valve butt-welding dimensions can be designed according to customer's requirement.

注: 系列阀门对焊端可根据客户要求设计制造

Dimensions and Weights 尺寸及重量 (Class600 ~ Class1500)

Class 压力级	NPS(in) 公称尺寸	Dimensions 尺寸 / mm								Weight 重量 / kg
		d	L			H1	H2	E		
			RF	BW	RTJ			Manual 手柄	Worm Gear 蜗轮	
Class 600	2	51	292	292	295	195	110	400	—	45
	3	76	356	356	359	240	110	750	—	80
	4	102	432	432	435	280	175	1000	—	150
	6	152	559	559	562	305	195	—	300	248
	8	200	660	660	663	400	280	—	300	438
	10	248	787	787	790	435	285	—	500	601
	12	298	838	838	841	440	320	—	600	625
	14	327	889	889	892	505	340	—	600	1230
	16	375	991	991	994	590	410	—	600	1535
	18	419	1092	1092	1095	700	445	—	600	2135
20	464	1194	1194	1200	775	510	—	600	2640	
24	559	1397	1397	1407	840	640	—	600	3960	
Class 900	2	49	368	368	371	200	120	750	—	52
	3	74	381	381	384	240	130	1000	—	87
	4	100	457	457	460	280	175	1500	—	160
	6	150	610	610	613	350	220	—	300	385
	8	201	737	737	740	390	260	—	400	560
	10	252	838	838	841	480	310	—	600	820
Class 1500	2	49	368	368	371	205	120	750	—	60
	3	72	470	470	473	210	125	1000	—	115
	4	100	546	546	549	245	160	—	300	194
	6	144	705	705	711	335	255	—	400	580
	8	192	832	842	842	427	340	—	500	752
	10	239	991	991	1001	502	381	—	600	1195
12	287	1130	1130	1146	533	438	—	600	2170	



Material Specifications 材料规范

NO. 序号	Parts 零件名称	Materials 材料	
		Carbon steel 碳钢	Stainless Steel 不锈钢
1	Body 阀体	A105	A182 F316
2	Bonnet 阀盖	A105	A182 F316
3	Spring 弹簧	Inconel X-750	Inconel X-750
4	Seat 阀座	A105	A182 F316
5	Ball 球体	A105+ENP	A182 F316+ENP
6	Seat Insert 密封圈	PTFE	PTFE
7	O-ring O形圈	NBR	NBR
8	Bearing 轴承	Steel + PTFE	Steel + PTFE
9	Pin 销	ANSI 1045	A182 F304
10	Trunnion Support 支撑板	A105	A182 F316
11	O-ring O形圈	NBR	NBR
12	Stem 阀杆	A182 F6a	A182 F316
13	O-ring O形圈	NBR	NBR
14	Top Cover 顶盖	A105	A182 F316
15	Actuator 驱动装置	Assembly 组合件	Assembly 组合件

Notes: The materials can be selected according to customer's requirement.
材料可根据用户要求合理选用。