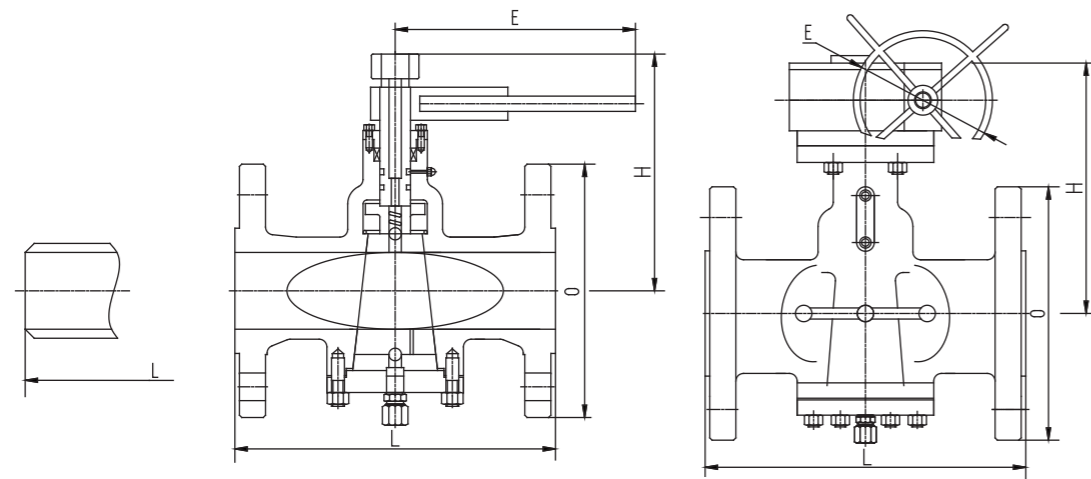




ANSI INVERTED PRESSURE BALANCE LUBRICATED PLUG VALVES

美标压力平衡式倒装油密封旋塞阀



Dimensions and Weights 尺寸及重量 (Class600 ~ Class900)

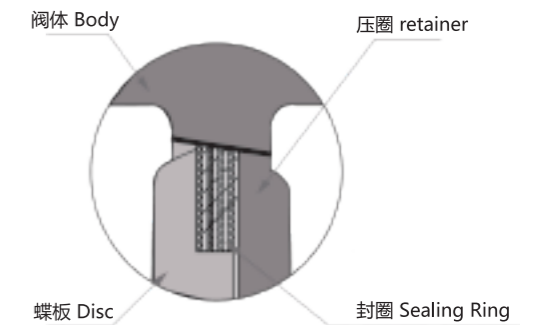
Class 压力级	NPS(in) 公称尺寸	Dimensions 尺寸 / mm					Weight 重量 / kg
		L		O	H	E	
		RF	BW				
Class 600	1½	241	241	155	210	600	24
	2	292	292	165	215	820	29
	2½	330	330	190	250	1000	35
	3	356	356	210	270	1000	47
	4	432	432	275	300	300	91
	6	559	559	355	365	320	210
	8	660	660	420	400	320	320
	10	787	787	510	450	350	660
Class 900	12	838	838	560	510	380	920
	14	889	889	605	590	380	1250
	1½	305	305	180	210	600	30
	2	368	368	215	215	820	37
	2½	419	419	245	250	1000	44
	3	381	381	240	270	1000	65
	4	457	457	290	300	300	110
	6	610	610	380	365	320	255
8	737	737	470	400	320	380	
10	838	838	545	450	350	810	
12	965	965	610	510	380	1050	

Notes: NPS4 or above with worm gear. 注: NPS4和NPS4以上为蜗轮操作。

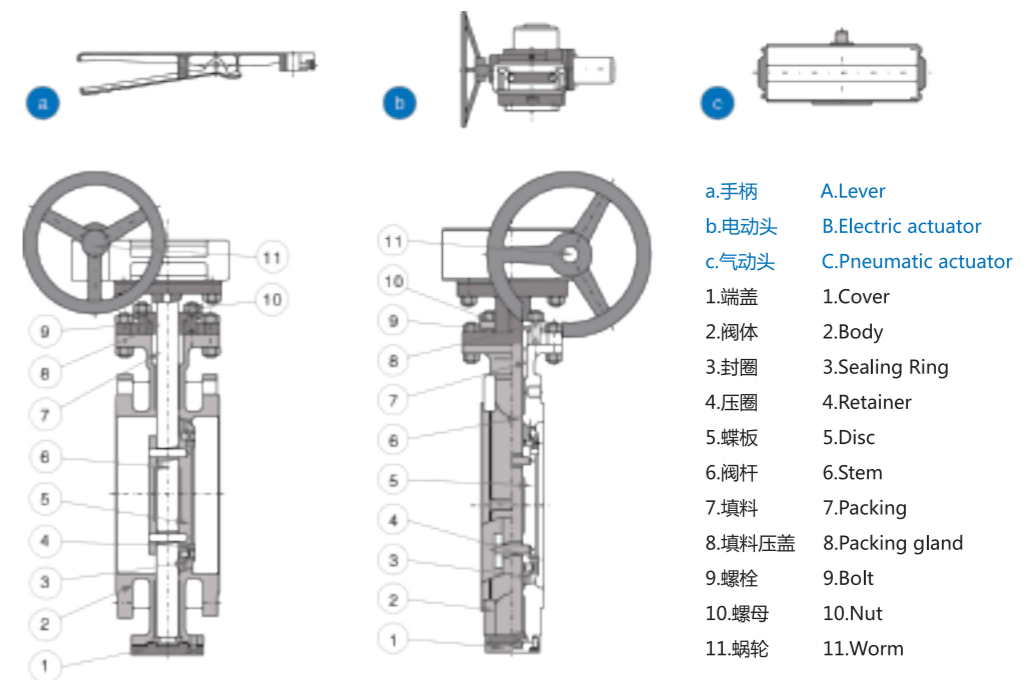
BUTTERFLY VALVES 蝶阀

Multi-layers sealing structure and function 多层次密封结构特点

- 1、采用先进的三偏心金属复合锥斜切结构，利用了凸轮效应，使得阀座与密封圈在整个开关行程中完全脱离，从而实现阀门在90°行程中阀座与蝶板密封圈之间无摩擦，可达到零泄漏，有优良的双向密封功能，与一般高性能蝶阀（单偏心或双偏心结构）比不仅操作扭矩小，且密封面的使用寿命特别长。
- 2、蝶板密封圈是多层次密封环，当向阀杆施加扭矩时，密封环的径向产生压缩和柔弹性变动，与阀座密封面周边紧密结合，实现严密切断。
- 3、具有双向密封因密封面锥角小于密封材料的摩擦角，蝶板关到密封位置时立即实现自锁，并能承受一定的反向压力冲击。
- 4、多种密封副材料可供选择，适用于不同的温度和介质。
- 5、该产品操作灵活、省力、方便，即可截断介质，也可任意调节介质流量。



- 1、With advanced triple-eccentric structure, seat and sealing ring are apart when opening and closing, can be zero leakage and good bio- flow directions tightness, compare with normal centric and eccentric structures, with lower torque and longer using life.
- 2、Multi-layers sealing system, when close the valve, multi-layers sealing material is compressed and flexible transmutation to press close to seat, to get a good sealing.
- 3、Small size,compact structure, installation and maintenance convenience.
- 4、Sealing material can be changed according to different working condition and requirement of clients.
- 5、Pneumatic, hydraulic and electric butterfly valve can be used for remote centralized control, and still Computers programmed to meet the requirements.

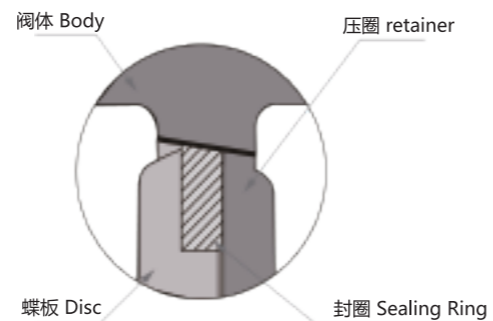




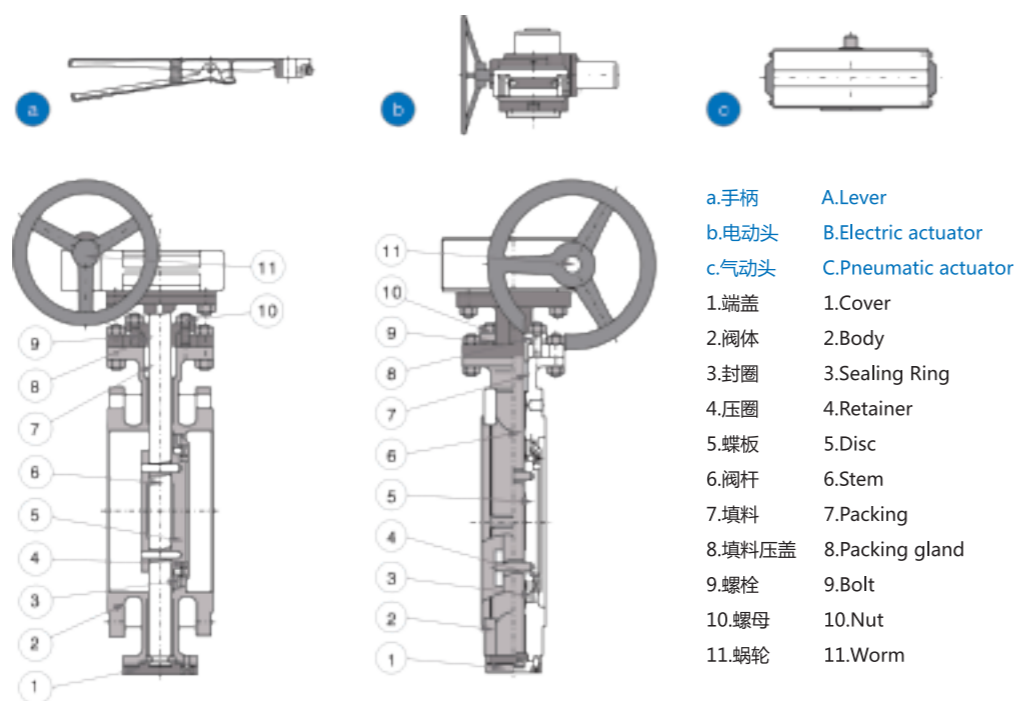
Fully metal sealing features

全金属密封结构特点

- 1、全金属硬密封蝶阀是三维偏心密封结构，采用独有先进工艺和专用装备加工制造，确保了零件和装备精度。保证了密封面的全部锥吻合，完全消除了密封面间的干涉与磨损。因此，开关阻力小，密封可靠，密封面磨损小，延长了阀门使用寿命。
- 2、耐高温，耐磨损，耐腐蚀，耐冲刷。
- 3、结构独开，开关力矩小，操作灵活、省力、方便、可靠。
- 4、该阀门按照API598要求的程序进行试验，由于密封副为金属结构，使阀门具有“本质火灾安全”特性。
- 5、防爆阀杆设计安全可靠，阀位指示清晰，符合API609设计要求。



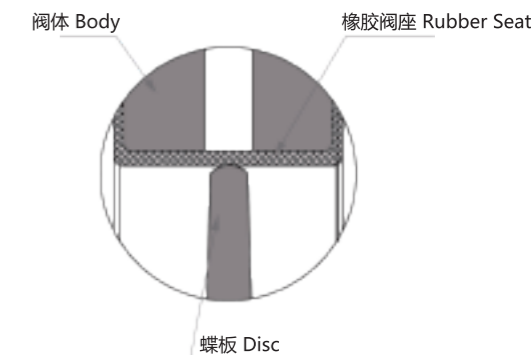
- 1、 With advanced triple-eccentric structure, precisely machining, seat and sealing ring are apart when opening and closing, can be zero leakage and good bio- flow directions tightness, compare with normal centric and eccentric structures, with lower torque and longer using life.
- 2、 Resist high temp, wear and tear, corruption, scour.
- 3、 Small size, compact structure, installation and maintenance convenience.
- 4、 Sealing material can be changed according to different working condition and requirement of clients.
- 5、 Pneumatic, hydraulic and electric butterfly valve can be used for remote centralized control, and still Computers programmed to meet the requirements.



Soft seated features

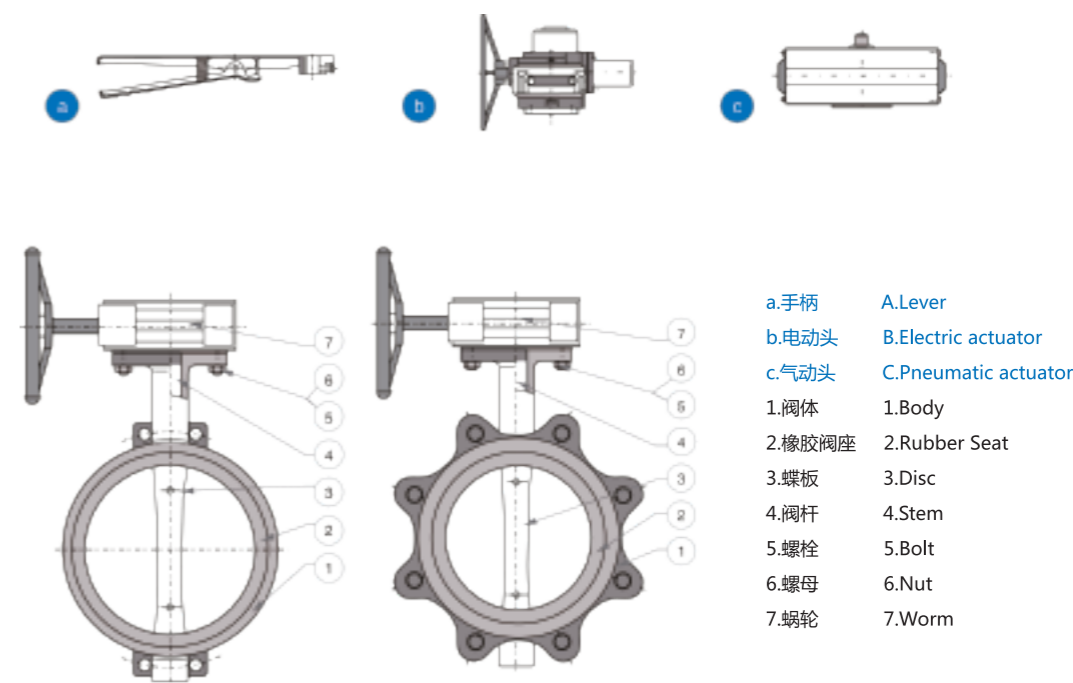
软密封结构特点

- 1、小型轻便，容易拆装及维修，并可在任意位置安装。
- 2、结构简单、紧凑，90°回轻开启迅、整。
- 3、操作扭矩小，省力轻巧。
- 4、具有靠背的橡胶密封圈，整体支承性能好，不易变形。
- 5、流量性趋于直线，调节性能最佳。



Soft Seal Butterfly apply to less than 120°C temperature. $Stu \leq 1.6\text{Mpa}$ Food, medicine, chemicals, petroleum, electricity, textile, papermaking, to water drainage, gas, pipeline and the closure flow regulator for the media role. Its main features are:

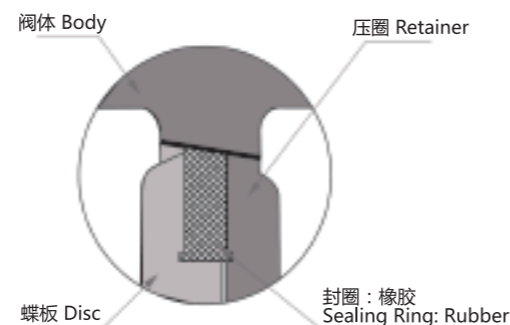
- 1、 A new layout and design, reasonable, unique structure and light weight, open and close rapidly.
- 2、 Operation Moment Small torque, easy operation.
- 3、 Can be in any location of the installation.
- 4、 Seals can be replaced, reliable sealing performance, two-way closed to zero leakage.
- 5、 Sealing materials aging, corrosion resistance and long service life characteristics.





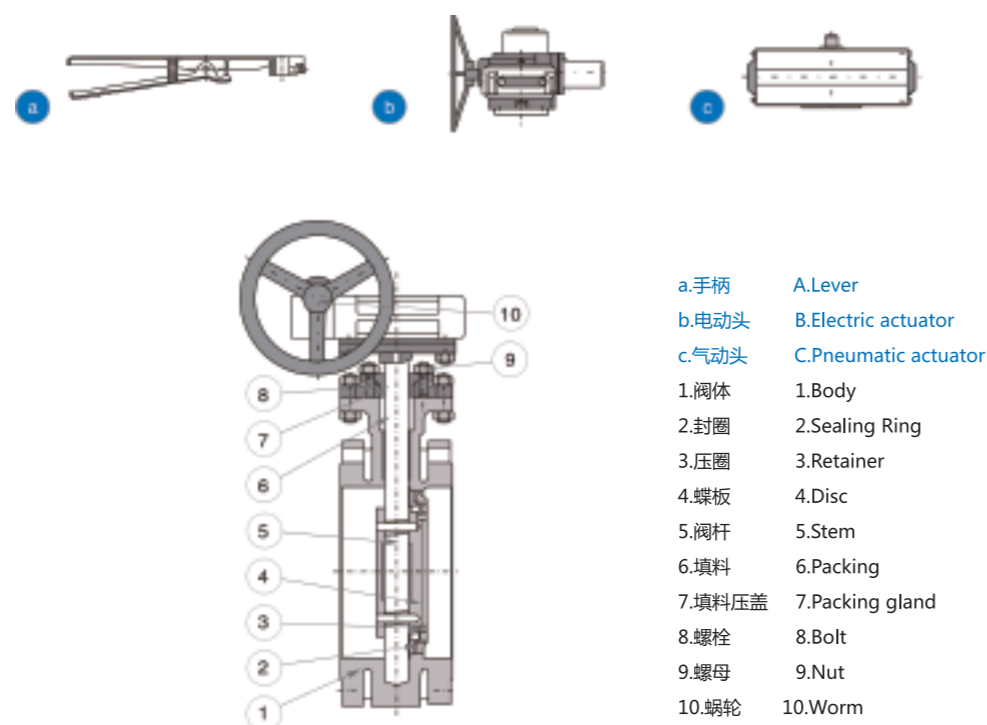
Double eccentric soft seated features 双偏心软密封结构特点

- 1、设计合理，装拆容易，便于维修。
- 2、采用偏心结构，减少密封圈的摩擦，延长阀门使用寿命。
- 3、完全密封，泄漏为零。
- 4、更换阀板密封圈、O形圈、蝶板、转轴等材质，可适用多种介质和不同温度。



Soft Seal Butterfly apply to less than 120°C temperature. $Stu \leq 1.6\text{Mpa}$ Food, medicine, chemicals, petroleum, electricity, textile, papermaking, to water drainage, gas, pipeline and the closure flow regulator for the media role. Its main features are:

- 1、 A new layout and design, reasonable, unique structure and light weight, open and close rapidly.
- 2、 Operation Moment Small torque, easy operation.
- 3、 Can be in any location of the installation.
- 4、 Seals can be replaced, reliable sealing performance, two-way closed to zero leakage.
- 5、 Sealing materials aging, corrosion resistance and long service life characteristics.



API flanged type butterfly valve 150LBS/300LBS technical data 美标法兰式蝶阀150LBS/300LBS 尺寸数据

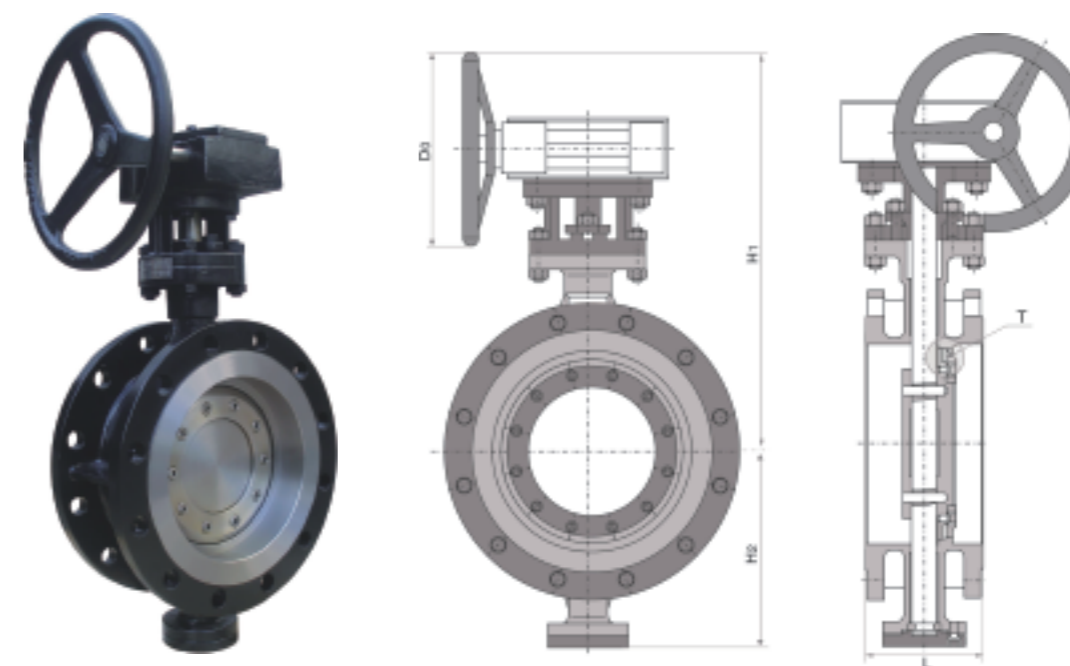
Structural features and uses 产品简介

本蝶阀采用三偏心多层金属密封结构，主要适用于石油、天然气、化工、冶金、电石、给排水工程等不同介质的管路上作调节流量、截断或接通流体之用。

This series butterfly valve used Worm Drive, operation of the LRT and self-locking function.

Application of advanced structural design of three eccentric and flexible ring of tiny elastic deformation characteristics, the use of advanced technology and methods for process equipment Manufacturing, to ensure accuracy of parts and assembly accuracy. Ensuring reliable seal a lasting pay coincide with the total elimination of the sealing surface of the interference with the mill Loss. Therefore, the switch resistance small, reliable sealing, sealing surface wear small, whole working life long.

The products are widely used in metallurgical, petrochemical, oil refining, to the drainage works and other sectors.





Standardized Application 应用规范

- 1、阀门设计，制造按JB/T8527-97标准的规定。
- 2、法兰连接按GB/T9113.1-2000标准的规定。
- 3、阀体结构长度按GB/T12221-89标准的规定。
- 4、阀门检查和试验按JB/T9092-99标准的规定。

- 1、The valve design, manufacture by JB/ T8527-97standards.
- 2、By connecting flange GB/T9113.1-2000 standards.
- 3、Valve length of the structure by GB/T12221-89 standards.
- 4、Inspection and test valves on JB/T9092-99 standards.



公称通径		L		H1		H2		D0	
in	DN	150	300	150	300	150	300	150	300
2	50	108	150	290	—	110	—	145	—
2½	65	112	170	300	—	125	—	145	—
3	80	114	180	315	—	130	—	145	—
4	100	127	190	335	360	155	170	145	290
5	125	140	200	445	470	165	185	290	290
6	150	140	210	460	505	170	210	290	290
8	200	152	230	520	570	225	240	290	320
10	250	165	250	565	610	260	275	290	320
12	300	178	270	630	690	305	310	320	380
14	350	190	290	660	790	325	350	320	380
16	400	216	310	725	830	365	375	380	380
18	450	222	330	765	880	390	405	380	380
20	500	229	350	880	925	420	455	380	380
24	600	267	390	960	940	460	510	380	380
26	650	267	390	930	1000	440	490	380	380
28	700	292	430	980	1025	465	515	380	380
30	750	292	430	1020	1130	490	540	380	480
32	800	318	470	1050	1175	525	585	380	480
36	900	330	510	1195	1265	595	640	480	480
40	1000	410	550	1265	1300	645	700	480	480
48	1200	470	—	1360	—	750	—	480	—
52	1300	—	—	1600	—	845	—	600	—
56	1400	—	—	1670	—	910	—	600	—
60	1500	—	—	1730	—	965	—	600	—

Note: Handle, worm, Worm, electrical, pneumatic, hydraulic, can be selected according to customer requirements.
注：手柄/蜗轮/蜗杆/电动/气动/液动，可根据客户要求选用。

API wafer type butterfly valve 150LBS/300LBS technical data 美标对夹式蝶阀150LBS/300LBS 尺寸数据

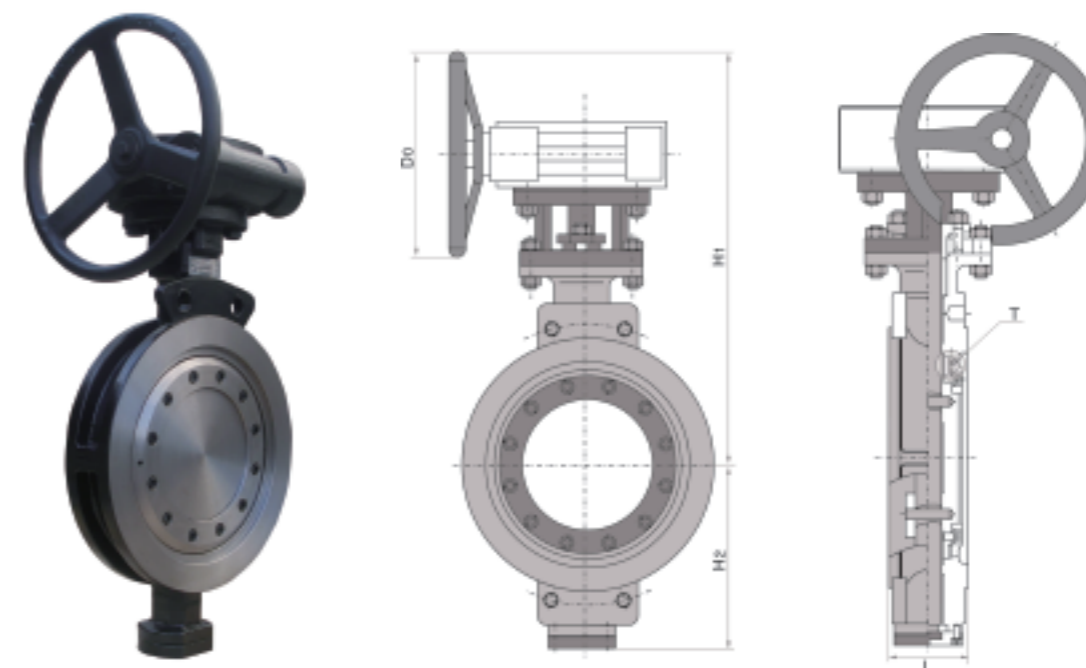
Structural features and uses 产品简介

本蝶阀采用三偏心多层金属密封结构，主要适用于石油、天然气、化工、冶金、电石、给排水工程等不同介质的管路上作调节流量、截断或接通流体之用。

This series butterfly valve used Worm Drive, operation of the LRT and self-locking function.

Application of advanced structural design of three eccentric and flexible ring of tiny elastic deformation characteristics, the use of advanced technology and methods for process equipment Manufacturing, to ensure accuracy of parts and assembly accuracy. Ensuring reliable seal a lasting pay coincide with the total elimination of the sealing surface of the interference with the mill Loss. Therefore, the switch resistance small, reliable sealing, sealing surface wear small, whole working life long.

The products are widely used in metallurgical, petrochemical, oil refining, to the drainage works and other sectors.

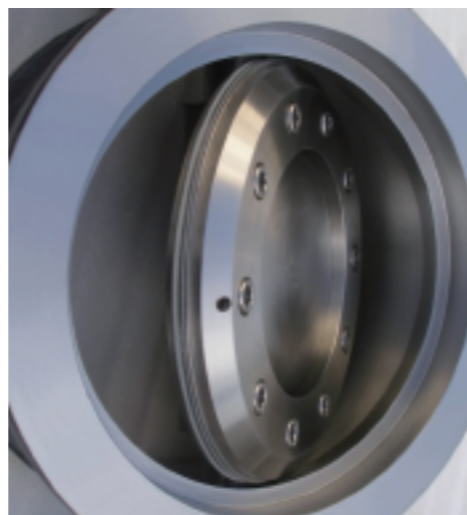




Standardized Application 应用规范

- 1、阀门设计，制造按JB/T8527-97标准的规定。
- 2、法兰连接按GB/T9113.1-2000标准的规定。
- 3、阀体结构长度按GB/T12221-89标准的规定。
- 4、阀门检查和试验按JB/T9092-99标准的规定。

- 1、The valve design, manufacture by JB/ T8527-97standards.
- 2、By connecting flange GB/T9113.1-2000 standards.
- 3、Valve length of the structure by GB/T12221-89 standards.
- 4、Inspection and test valves on JB/T9092-99 standards.



API lug type butterfly valve 150LBS/300LBS technical data 美标凸耳式蝶阀150LBS/300LBS 尺寸数据

Structural features and uses 产品简介

本蝶阀采用三偏心多层金属密封结构，主要适用于石油、天然气、化工、冶金、电石、给排水工程等不同介质的管路上作调节流量、截断或接通流体之用。

This series butterfly valve used Worm Drive, operation of the LRT and self-locking function.

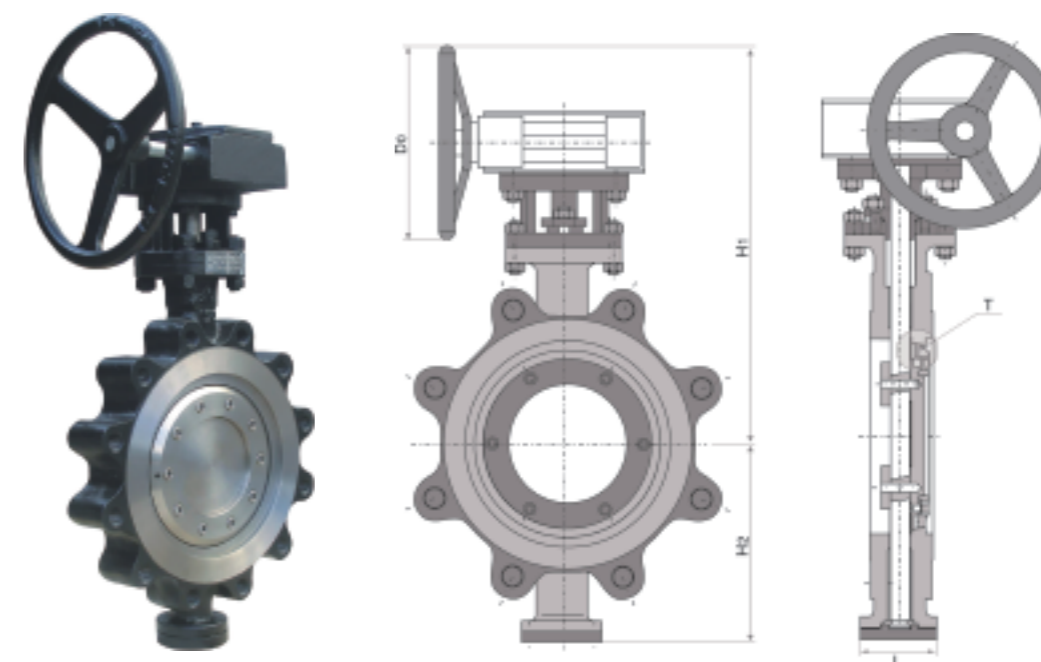
Application of advanced structural design of three eccentric and flexible ring of tiny elastic deformation characteristics, the use of advanced technology and methods for process equipment Manufacturing, to ensure accuracy of parts and assembly accuracy. Ensuring reliable seal a lasting pay coincide with the total elimination of the sealing surface of the interference with the mill Loss. Therefore, the switch resistance small, reliable sealing, sealing surface wear small, whole working life long.

The products are widely used in metallurgical, petrochemical, oil refining, to the drainage works and other sectors.

公称通径		L		H1		H2		D0	
in	DN	150	300	150	300	150	300	150	300
2	50	43	—	285	—	100	—	145	—
2½	65	46	—	295	—	110	—	145	—
3	80	48	—	310	—	120	—	145	—
4	100	54	54	330	435	140	150	145	290
5	125	54	54	435	465	165	180	290	290
6	150	57	59	455	500	170	190	290	290
8	200	64	73	500	565	215	235	290	320
10	250	71	83	550	620	230	250	290	320
12	300	81	92	595	665	260	280	320	380
14	350	92	117	635	700	290	320	320	380
16	400	102	133	690	740	315	335	380	380
18	450	114	149	750	790	360	390	380	380
20	500	127	159	865	920	385	415	380	380
24	600	154	181	930	940	450	485	380	380
26	650	165	—	955	—	435	—	380	—
28	700	165	—	985	—	465	—	380	—
30	750	165	—	1005	—	485	—	380	—
32	800	190	—	1045	—	515	—	380	—
36	900	203	—	1165	—	570	—	480	—
40	1000	216	—	1260	—	645	—	480	—
48	1200	254	—	1355	—	750	—	480	—

Note: Handle, worm, Worm, electrical, pneumatic, hydraulic, can be selected according to customer requirements.

注：手柄/蜗轮/蜗杆/电动/气动/液动，可根据客户要求选用。



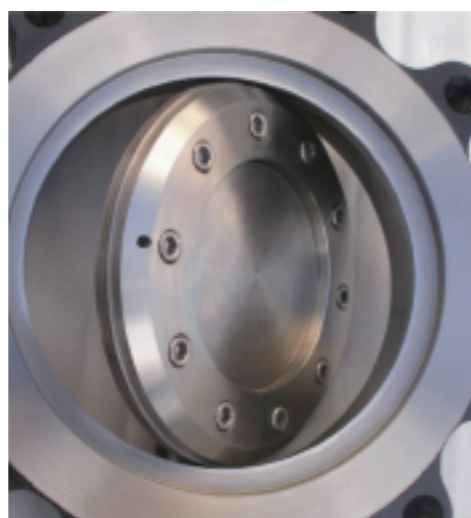


请旋转90°查阅
Please chek rotating90°

Standardized Application 应用规范

- 1、阀门设计，制造按API609标准的规定。
- 2、法兰连接按ANSI B16.5,ASME B16.47标准的规定。
- 3、阀门检查和试验按API598标准的规定。

- 1、 The valve design and manufacture of API609 standards.
- 2、 ANSI B16.5 by connecting flange ASME B16.47 standards.
- 3、 Inspection and test valves by API598 standards.



公称通径		L		H1		H2		D0	
in	DN	150	300	150	300	150	300	150	300
6	150	57	59	470	500	175	210	290	290
8	200	64	73	515	565	220	240	290	320
10	250	71	83	560	620	255	275	290	320
12	300	81	92	625	665	300	310	320	380
14	350	92	117	655	700	325	350	320	380
16	400	102	133	735	820	355	380	380	380
18	450	114	149	765	850	375	415	380	380
20	500	127	159	850	930	410	450	380	380
24	600	154	181	925	1005	470	525	380	380
28	700	165	—	965	—	485	—	380	—
30	750	165	—	995	—	510	—	380	—
32	800	190	—	1045	—	545	—	380	—
36	900	203	—	1170	—	610	—	480	—

Note: Handle, worm, Worm, electrical, pneumatic, hydraulic, can be selected according to customer requirements.
注：手柄/蜗轮/蜗杆/电动/气动/液动，可根据客户要求选用。

Torque and Thrust of Wedge Gate Valves 楔式闸阀的扭矩与推力

Class 磅级	Size口径 (in)	150		300		600		900		1500		2500	
		Thrust推力 (KN)	Torque扭矩 (NAM)	Thrust推力 (KN)	Torque扭矩 (NAM)	Thrust推力 (KN)	Torque扭矩 (NAM)	Thrust推力 (KN)	Torque扭矩 (NAM)	Thrust推力 (KN)	Torque扭矩 (NAM)	Thrust推力 (KN)	Torque扭矩 (NAM)
	24	190	1010	441	2540	809	5830	1231	10050	2056	22660	—	—
	22	181	920	—	—	—	—	—	—	—	—	—	—
	20	151	700	349	1770	582	3630	876	6730	1447	13190	—	—
	18	119	520	284	1300	480	2770	726	5240	1155	9970	—	—
	16	96	400	226	980	443	2450	569	3280	878	6330	1408	12830
	14	69	270	176	730	351	1860	527	2910	807	5820	1135	9260
	12	66	240	151	590	300	1370	436	2310	657	4100	942	7240
	10	47	160	110	400	213	920	326	1650	509	2940	712	4960
	8	33	100	74	250	150	580	214	930	352	1780	471	2600
	6	23	70	46	140	100.88	370	139	540	220	900	289	1250
	5	16	50	35	100	73	250	—	—	220	900	—	—
	4	15	40	24	70	50	140	70	210	114	390	145	490
	3	12	30	17	40	32	90	49	100	83	250	111	340
	2 1/2	10	25	14	30	23	50	43	90	66	190	98	270
	2	9	20	12	25	20	40	33	60	51	130	70	180